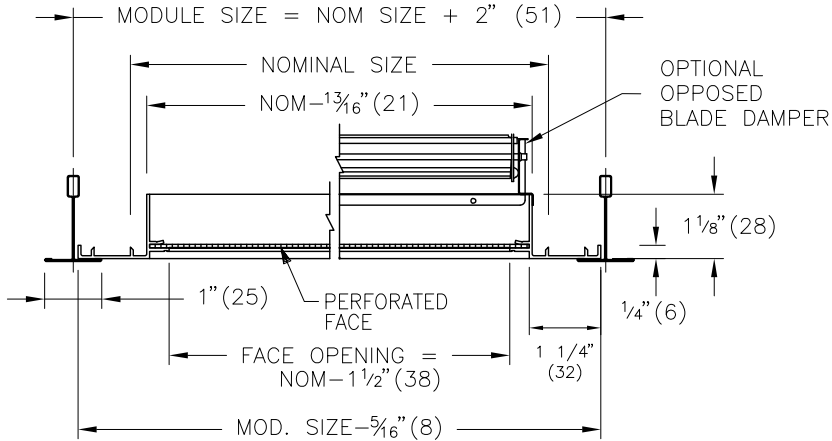
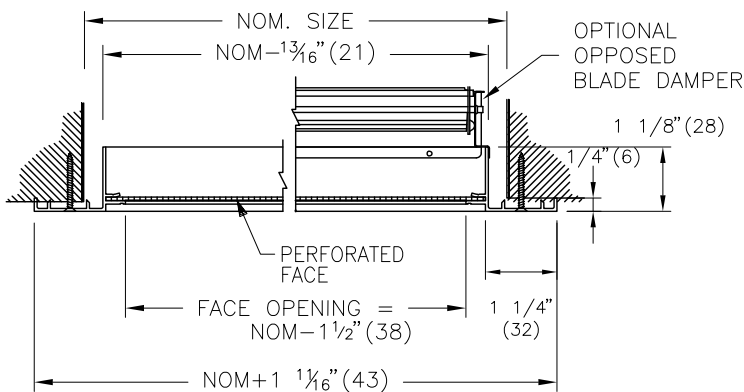


10, 10A SERIES PERFORATED RETURN GRILLE

F BORDER (LI) LAY-IN



F BORDER (SW) SIDEWALL



BORDER TYPE:

- F - 1 1/4" (32) FLAT FRAME
- LI (LAY-IN) APPLICATION
- F - 1 1/4" (32) FLAT FRAME
- SW (SIDEWALL) APPLICATION
- 3P - T-BAR LAY-IN WITH STEEL PANEL
- 3PA - T-BAR LAY-IN WITH ALUMINUM PANEL
- 916P - FOR 9/16" FLAT TEE STEEL PANEL
- 916PA - FOR 9/16" FLAT TEE ALUMINUM PANEL

OPTION:

- VCS3 STEEL OPPOSED BLADE DAMPER
- VCS3 ALUMINUM OPPOSED BLADE DAMPER

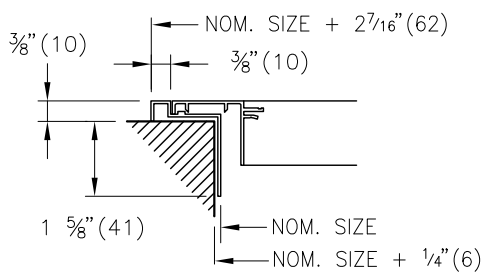
FINISH:

- B12 WHITE
- (OPTIONAL FINISHES AVAILABLE)

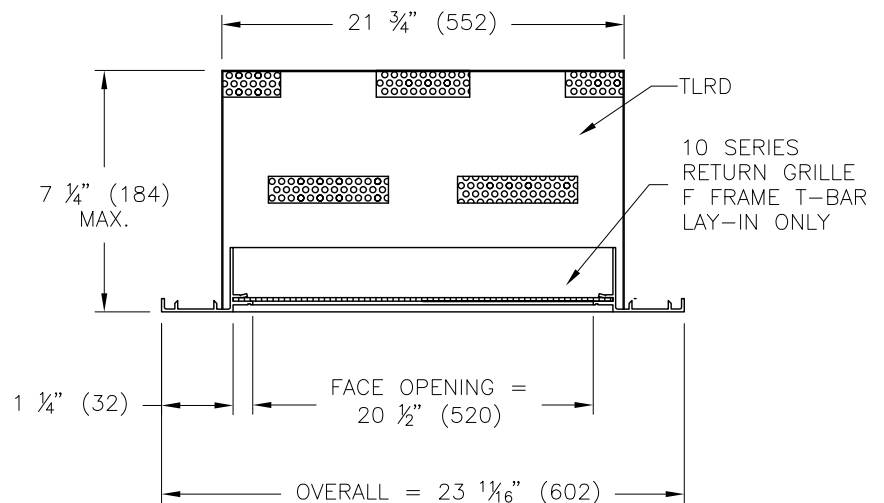
MATERIAL:

- EXTR. ALUM. BORDER FRAME.
- PERFORATED FACE:
 - .187 DIA. HOLES AT .250"X60" STAGGERED CENTERS.
 - 10 STEEL
 - 10A ALUMINUM

OPTIONAL D MOUNTING FRAME (USE WITH F BORDER (SW) ONLY)



TLRD OPTION (ORDERED AS SPECIAL) (NOM. DUCT SIZE 22" X 22" ONLY)



NOTES:

- TYPE 'A' COUNTERSUNK SCREW MOUNTING WITH #8 S.M.S. PER FACTORY STANDARD.
- MIN SIZE 6x4
- MAX SIZE 48x24 - 1 PIECE CONSTRUCTION.
- FACTORY TOLERANCE ± 1/32" (1)

PROJECT:

ENGINEER:

CUSTOMER:

SUBMITTAL DATE:

SPEC. SYMBOL:



10,10A SERIES

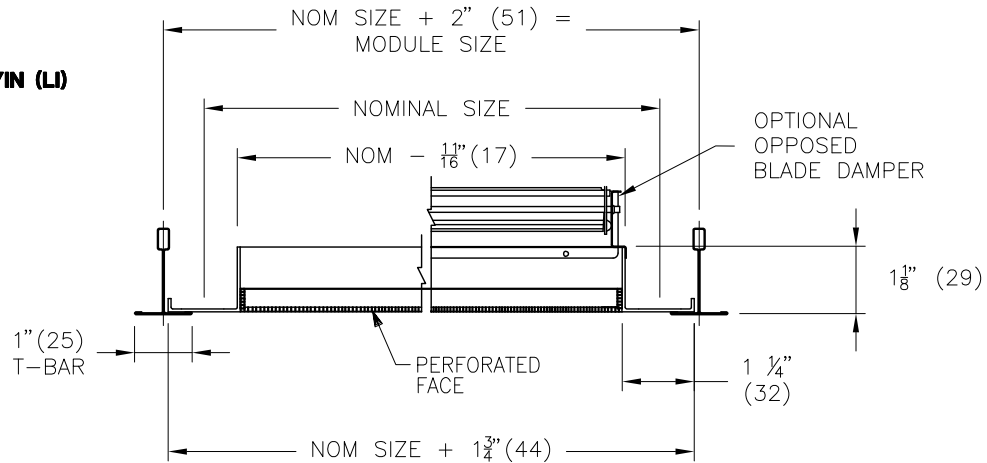
219674

PERFORATED RETURN GRILLE

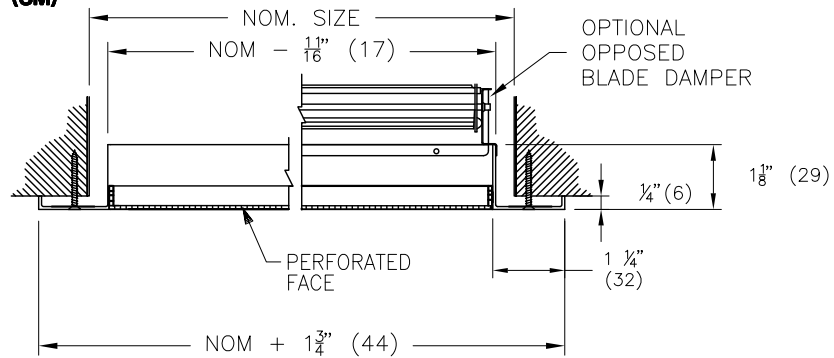
2011/04/25

10SS SERIES PERFORATED RETURN GRILLE

F BORDER - LAYIN (LI)



F BORDER - SURFACE MOUNT (SM)



MATERIAL:

- FRAME: STAINLESS STEEL.
- FACE: PERFORATED STAINLESS STEEL.
3/16" DIA. HOLES ON 1/4" STAGGERED CENTERS.

FINISH:

- #4 POLISHED FINISH

NOTES:

- MIN SIZE. 6X4 (152x102)
- MAX SIZE. 48X24 (1219x610) (1 PIECE CONSTRUCTION)
- FACTORY TOLERANCE $\pm 1/32"$ (1)

OPTION:

- TYPE 'A' COUNTERSUNK SCREW MOUNTING WITH #8 SCREWS
(FOR SURFACE MOUNT ONLY, LOCATIONS PER FACTORY STANDARD)
- TYPE 'O' FASTENING - NO SCREWHOLES
- VCS3SS STAINLESS STEEL OPPOSED BLADE DAMPER

ALL METRIC DIMENSIONS () ARE SOFT CONVERTED. IMPERIAL DIMENSIONS ARE CONVERTED TO METRIC AND ROUNDED TO THE NEAREST MILLIMETER.

PROJECT:		PRICE®	
ENGINEER:			10SS SERIES STAINLESS STEEL PERFORATED RETURN GRILLE
CUSTOMER:		245783	
SUBMITTAL DATE:	SPEC. SYMBOL:	2009/04/27	